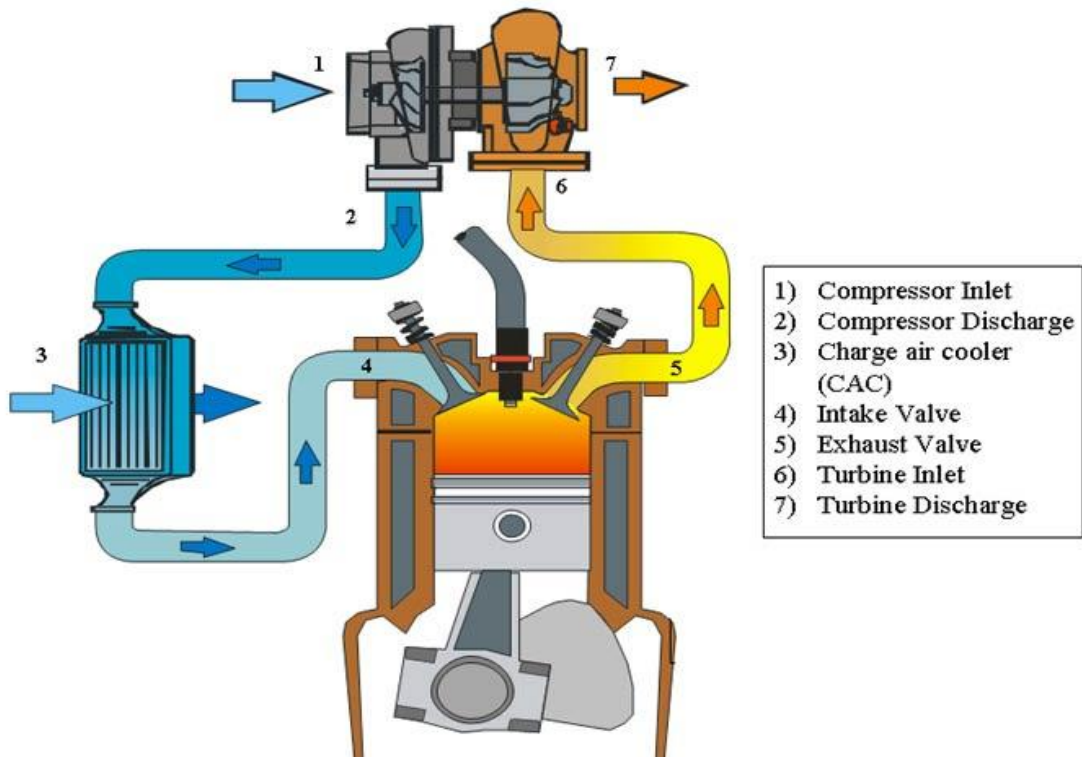
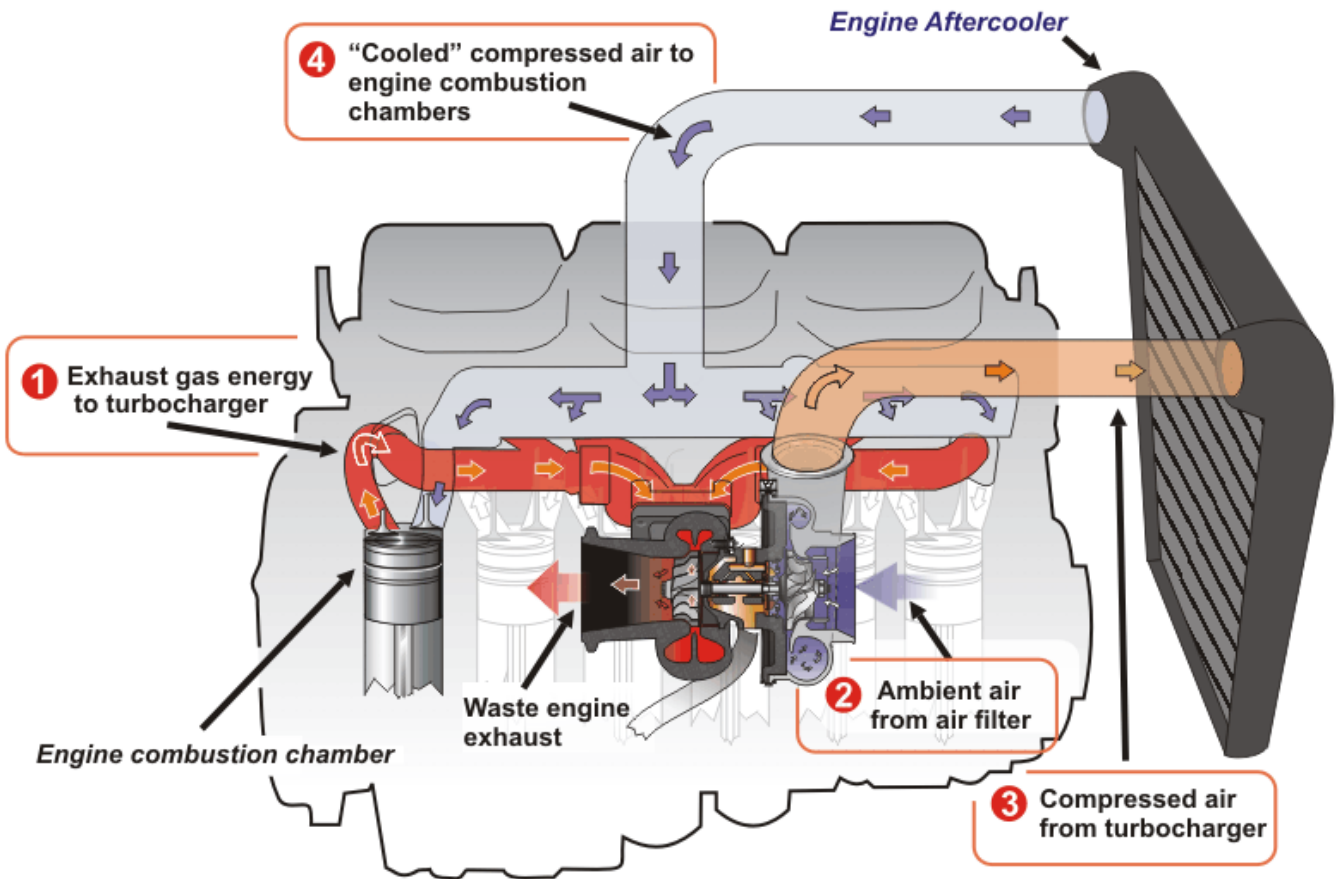




TURBOCHARGER FAILURE CONTAMINATED OIL

Typical Commercial Diesel Turbocharged Engine System



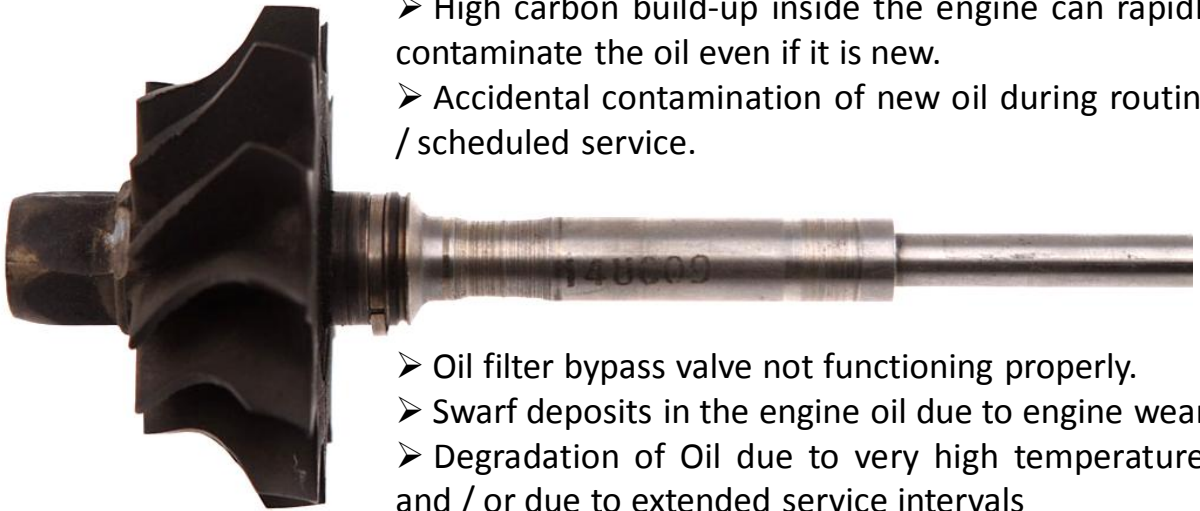
FAILURES DUE TO CONTAMINATED OIL



The tolerances inside a turbocharger is absolutely finite. Contaminated or dirty oil will scratch / score the bearings and lead to rapid wear and the turbocharger will fail ultimately.

Causes of contaminated oil failure :

- Chocked / damaged / poor quality engine oil filter.
- High carbon build-up inside the engine can rapidly contaminate the oil even if it is new.
- Accidental contamination of new oil during routine / scheduled service.



- Oil filter bypass valve not functioning properly.
- Swarf deposits in the engine oil due to engine wear.
- Degradation of Oil due to very high temperatures and / or due to extended service intervals

Preventing turbo failure caused by contaminated oil :



- ✓ Use only fresh engine oil and new oil filters as recommended by the engine manufacturer when fitment of new turbocharger.
- ✓ Use only recommended grade of engine oil.
- ✓ Clean or replace oil inlet pipes to eliminate any carbon deposits or sludge that could enter the turbocharger or restrict oil flow to the bearings

Service Centers:

Palakkad
17/550(9),KTV Tower,
West Fort Road, Palakkad – 678 001
Phone : 0491 – 3260808, 3208000

Kochi
40/618, Bhagavathy Parambil Building,
Near Federal Bank, Palarivattom, Kochi – 682 025
Phone : 0848 -3114333

Kozhikode
3/165-A,Nano Building,
Major Santhosh Road, Behind Co-Op Urban Bank,
Vandipetta, West Nadakkavu, Kozhikode – 673 011
Phone : 0495 3104333

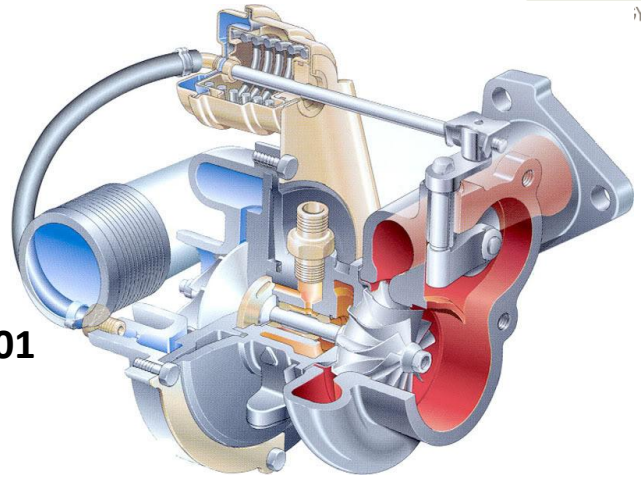
Collection Centers:

Kannur
EP III/178, EVES Arcade,
Opposite Technical High School, Thottada, Kannur – 670 007
Phone : 0497 – 3268785

Thiruvananthapuram
TC 36/1090(9), Narayan Nilayam,
Eanchakkal Junction, Vallakadavu P.O., Thiruvananthapuram – 695 008
Phone : 0471 – 3198785

Service Helpline : +91 491 3208000
Technical Assistance : +91 93491 27136

Website : www.paramountautozone.com
www.paramountgrp.net



Paramount auto **zone**

ISO 9001:2008 Certified Company



Come to us for a cleaner and greener road to the future..